

ATTENUATOR FLANGE MOUNT 100 WATT



DATA SHEET

PART SERIES: 33P7024F

SHEET 1 OF 2
Dwg 1015315

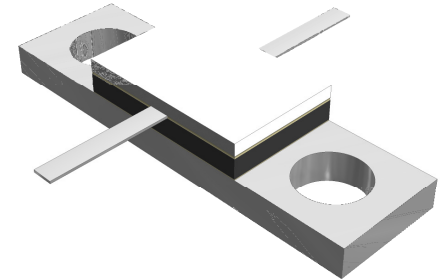
EN 15-1377
Revision -

FEATURES

- Tab Launch
- High Power
- Integrated Heat Sink
- Low VSWR
- Easy Installation
- Low Passive Intermodulation

APPLICATIONS

- Mobile Networks
- Broadcast
- High Power Amplifiers
- Isolators
- Instrumentation



GENERAL DESCRIPTION

EMC Technology offers the widest selection of flange mount attenuators worldwide. High power flange components offer excellent performance and the convenience of bolt on installation.

ORDERING INFORMATION

Part Identifier:

33P7024XX.XXF

Attenuation Value

SPECIFICATIONS

1.0 ELECTRICAL

| | |
|-------------------------------|--|
| Nominal Impedance: | 50 ohms |
| Frequency Range: | DC - 2.7 GHz |
| Attenuation Values Available: | 1-20, 30dB |
| Attenuation Accuracy: | 1-10 dB \pm 0.5 dB 11-20 dB \pm 1.0 dB 30 dB \pm 1.5 dB |
| Input Power CW: | 100 watts @ 100°C heat sink, derated linearly to zero power at 150°C |
| Peak Power: | 1000 watts (based on 10µs pulse width and 1% duty cycle) |
| VSWR: | 1.20:1 Max (DC - 2.5 GHz) 1.30:1 Max (2.5 - 2.7 GHz) |
| Passive Intermodulation: | -108 dBc Max (2 x 43 dBm Input @ 1.9 GHz Band) |

2.0 ENVIRONMENTAL

| | |
|----------------------------|---------------------|
| Operating Temperature: | -55°C to +150°C |
| Non-operating Temperature: | -65°C to +150°C |
| Temperature Coefficient: | +/-200 PPM / °C max |

3.0 MARKING

| | |
|---------------|-------------------|
| Unit Marking: | Logo, Part Number |
|---------------|-------------------|

4.0 QUALITY ASSURANCE

Sample Inspect Per MIL-STD-105, Level II, 1.0% AQL.

Visual and Mechanical Examination for Conformance To Outline Drawing Requirements.

Measure Attenuation and VSWR

Data Retention – Standard

ATTENUATOR FLANGE MOUNT 100 WATT



DATA SHEET

PART SERIES: 33P7024F

SHEET 2 OF 2
Dwg 1015315

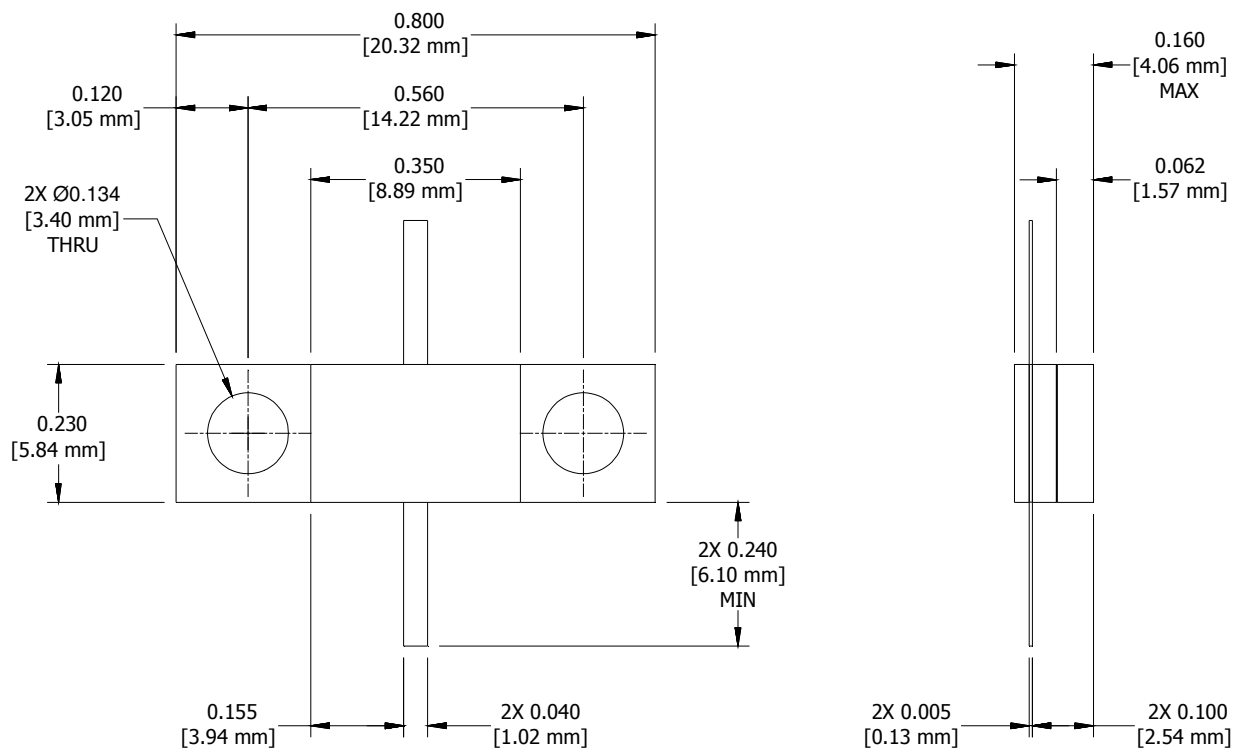
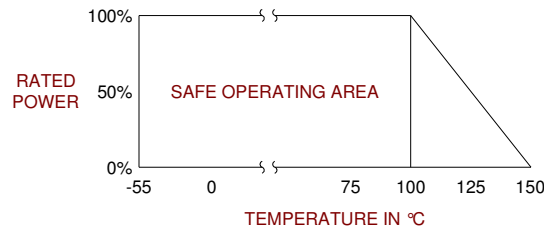
EN 15-1377
Revision -

5.0 PACKAGING

Standard Packaging: Tray

6.0 MECHANICAL

| | |
|---------------------|-----------------------------|
| Substrate Material: | Aluminum Nitride |
| Resistive Film: | Thin Film |
| Cover Material: | Alumina |
| Tab Material: | Beryllium Copper |
| Tab Finish: | Silver Plated |
| Flange Material: | Copper |
| Flange Finish: | Nickel Plated |
| Metric Dimensions: | Provided for reference only |



Unless Otherwise Specified: TOLERANCE: X.XX = ± 0.02 X.XXX = ± 0.010