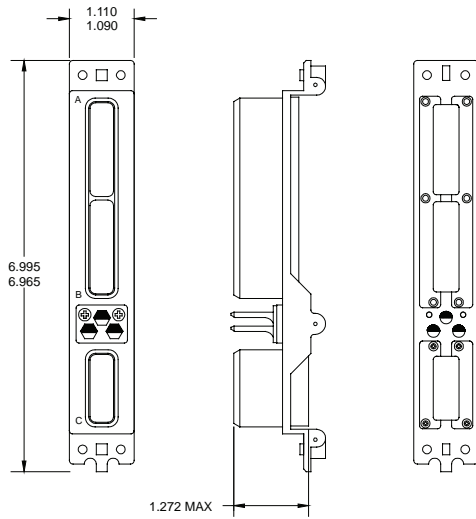


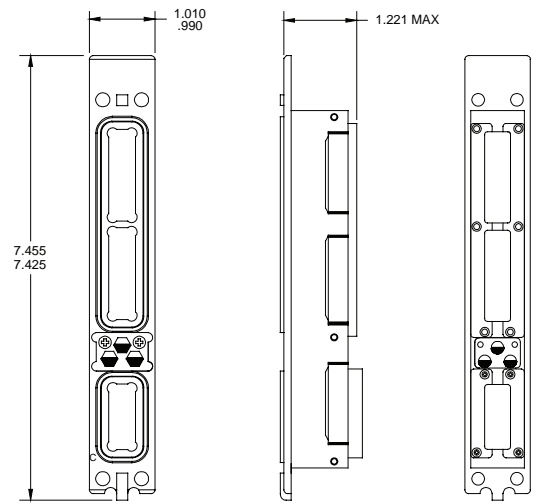
HIGH SPEED RACK & PANEL CONNECTORS



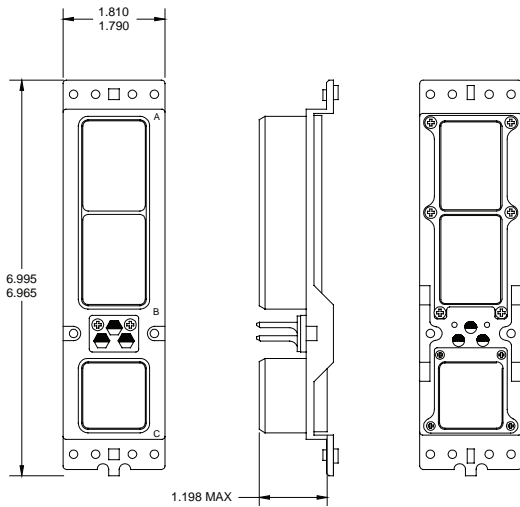
▶ ARINC 600 SHELL SIZE 1 PLUG



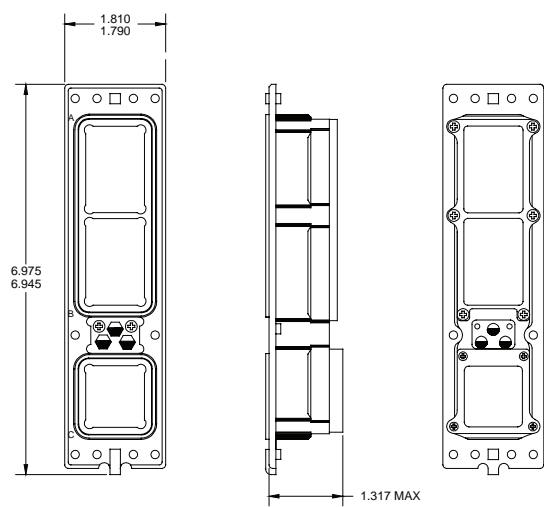
▶ ARINC 600 SHELL SIZE 1 RECEPTACLE



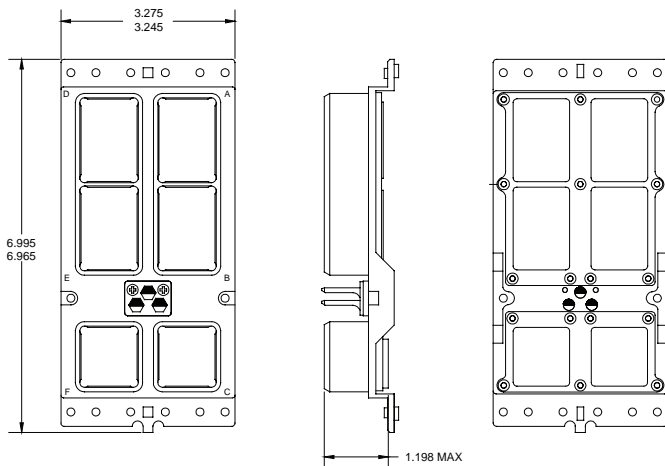
▶ ARINC 600 SHELL SIZE 2 PLUG



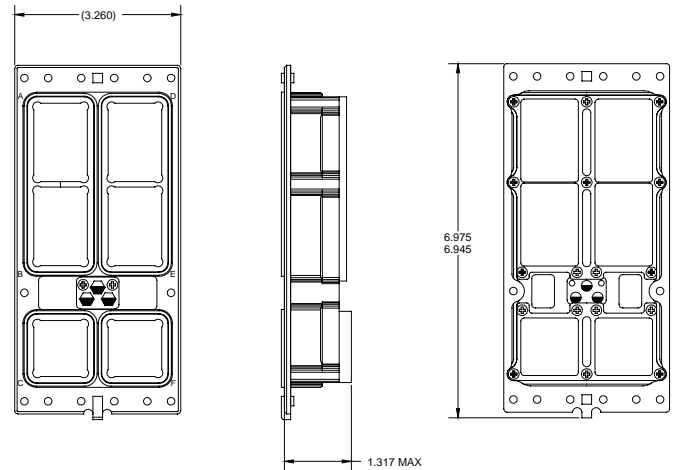
▶ ARINC 600 SHELL SIZE 2 RECEPTACLE



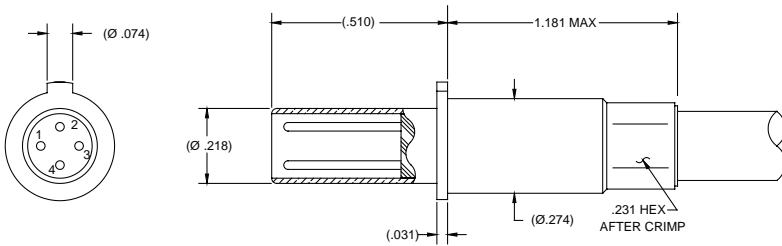
▶ ARINC 600 SHELL SIZE 3 PLUG



▶ ARINC 600 SHELL SIZE 3 RECEPTACLE

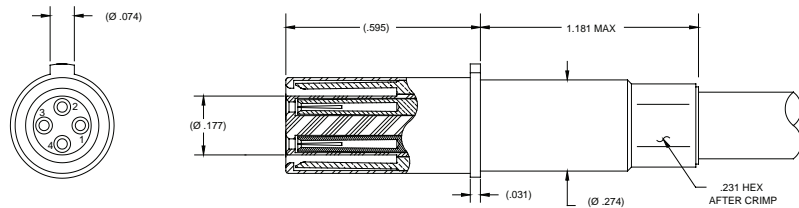


▶ **SIZE 8 PIN QUADRAx CONTACT 100 OHM**



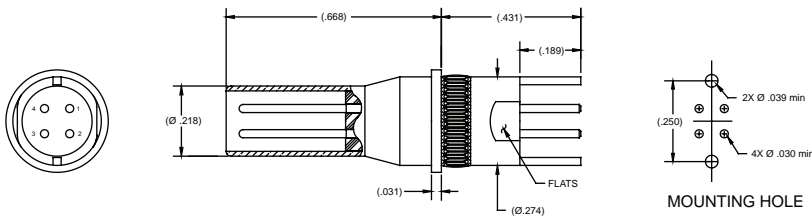
PART NUMBER	CABLE TYPE	CABLE
019635-2031	Differential Quad	540-1183-000
Rear Release/Rear Removable		

▶ **SIZE 8 SOCKET QUADRAx CONTACT 100 OHM**



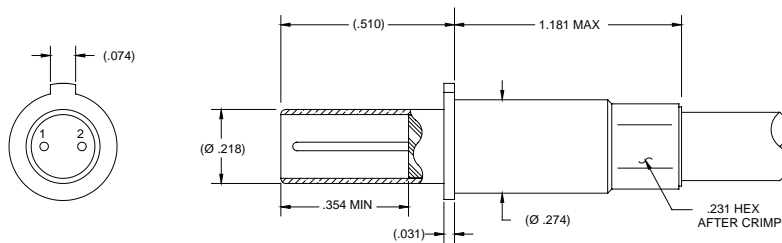
PART NUMBER	CABLE TYPE	CABLE
019535-2031	Differential Quad	540-1183-000
Rear Release/Rear Removable		

▶ **SIZE 8 PIN QUADRAx CONTACT PCB MOUNT 100 OHM**



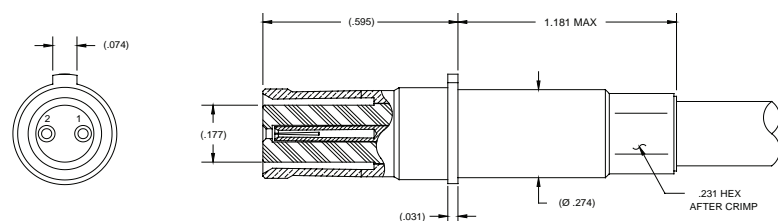
P/N 019617-2107
Front Release/Rear Removable

▶ **SIZE 8 TWINAx PIN CONTACT 100 OHM**



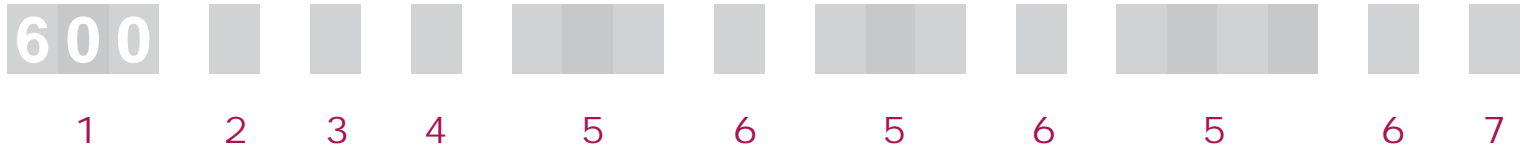
PART NUMBER	CABLE TYPE	CABLE
019634-8025	Differential Twinax	540-1167-000
019634-8026	Flexible Twinax	540-1161-000
019634-8027	Differential Twinax	540-1086-000

▶ **SIZE 8 TWINAx SOCKET CONTACT 100 OHM**



PART NUMBER	CABLE TYPE	CABLE
019534-8025	Differential Twinax	540-1167-000
019534-8026	Flexible Twinax	540-1161-000
019534-8027	Differential Twinax	540-1086-000

HOW TO ORDER



- 1 ▶ PREFIX

- 2 ▶ SHELL SIZE
1, 2, 3

- 3 ▶ SHELL STYLE
P PLUG **R** RECEPTACLE

- 4 ▶ PLATING
C CADMIUM (YELLOW CHROMATE) **N** ELECTROLESS NICKEL

- 5 ▶ INSERT ARRANGEMENTS
CAVITY **A**, **B**, **C**, **D**, **E**, **F**

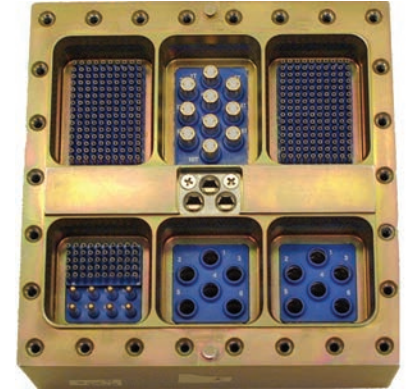
- 6 ▶ CONTACT TYPE
P PIN (Front Release/Rear Removable PC Tail Version) **S** SOCKET (Rear Release/Rear Removable Cable Mount)

- 7 ▶ CONTACT TERMINATION
S SOLDER CUP **P** PC TAIL **C** CRIMP

Smiths Connectors' MIL-DTL-83527 Rack and Panel style connectors meet or exceed the applicable requirements of the military specification and come in a wide variety of insert arrangements and shell sizes. Contact patterns include mixed Signal, Power, Coax, Triax, Fiber Optic (ARINC 801 and Expanded Beam Contacts) Twinax and Quadrax contacts for standard or custom insert arrangements. They can also incorporate EMI filtering and transient EMP protection to help maintain signal integrity.

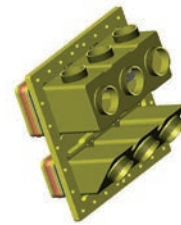
Smiths Connectors' Twinax and Quadrax contacts offer balanced and matched impedance performance for a wide variety of transmission systems and cable characteristics. Our contacts are designed to ensure optimum signal integrity even at the highest data rates.

Contacts are offered with crimp or solder termination with anti-rotational keyed insert assemblies for High-Speed Fibre Channel or Ethernet type applications. These connectors are designed for extreme environmental concerns including shock, vibration and humidity.



FEATURES:

- ▶ Isolated cavities available for tempest applications
- ▶ EMI/RFI environmentally sealed backshells
- ▶ Single or Multiport exit termination points with standard MIL-DTL-38999 backshells.



BACKSHELLS

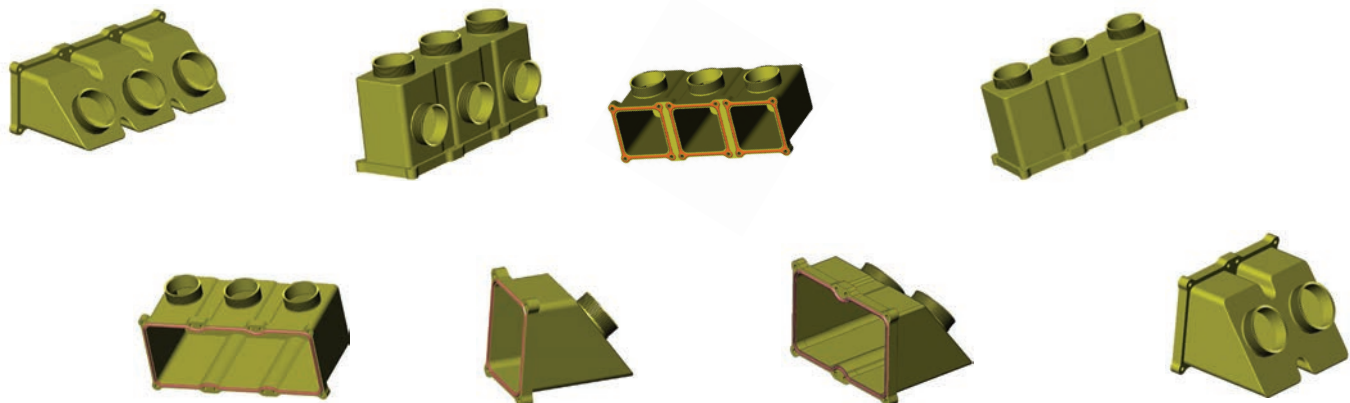
Smiths Connectors' rugged EMI/RFI environmental backshells for MIL-DTL-83527 and ARINC 600 connectors offer many innovative features including accessory threads, optional cable entry locations as well as single or multi-cavity ports.



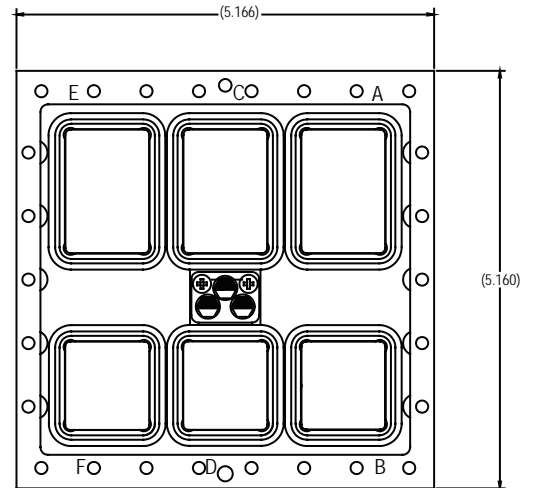
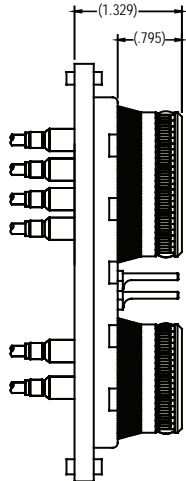
FEATURES:

- ▶ EMI/RFI Environmentally sealed backshells
- ▶ Moisture, splash and dust proof
- ▶ Resilient gasket sealing from the rear of the connector shell to the backshell junction

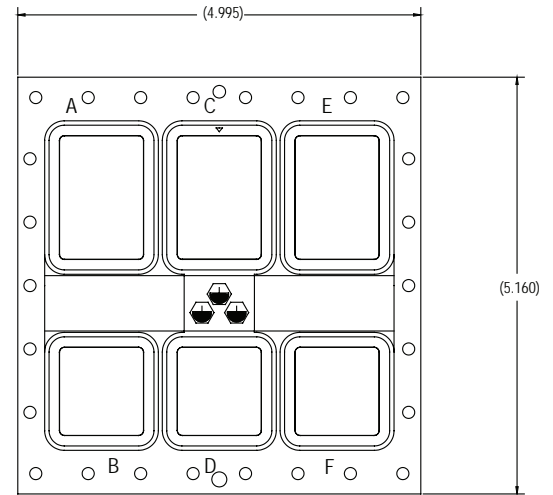
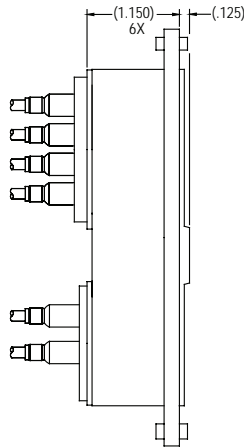
Sample Backshells



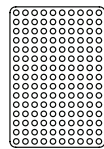
▶ MIL-DTL-83527
SHELL SIZE 4A PLUG



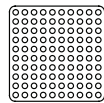
▶ MIL-DTL-83527
SHELL SIZE 4A RECEPTACLE



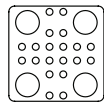
▶ MIL-DTL-83527 INSERT
ARRANGEMENTS



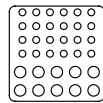
I-150
150 #22



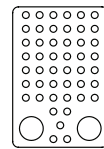
II-100
100 #22



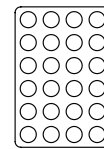
II-20T4
20 #20
4 #8 T/C



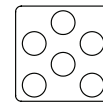
II-34
24 #20
10 #16



I-47T2
47 #20
2 #8 T/C



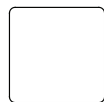
I-24
24 #12



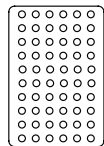
II-T6
6 #8 T/C



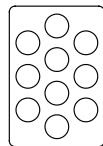
I-0
BLANK
CUSTOM



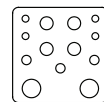
II-0
BLANK
CUSTOM



I-60
60 #20



10P10
10 #8 T/C

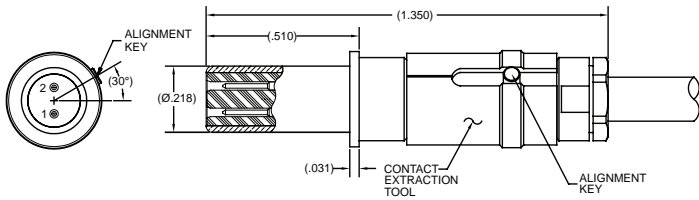


II-11C2
4 #20
3 #16
4 #12
2 #5

For Size 8 Contacts Please Specify:
T = Twinax/Quadax Cavity (Anti-Rotational)
C = Coaxial/Triaxial Cavity

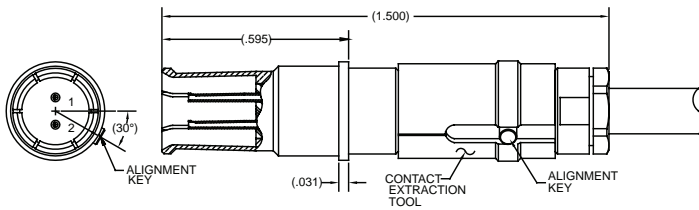
Smiths Connectors provides specialty, enhanced performance connectors and cable assemblies and as such does not currently offer circular, rack and panel, or D-subminiature connectors that are listed on military standard Qualified Products Lists (QPL) per applicable detail specification sheets. Smiths Connectors' connectors are fully interchangeable with applicable QPL products and meet the applicable requirements of all military standards listed in this catalog.

SIZE 8 TWINAX PIN CONTACT 100 AND 150 OHM



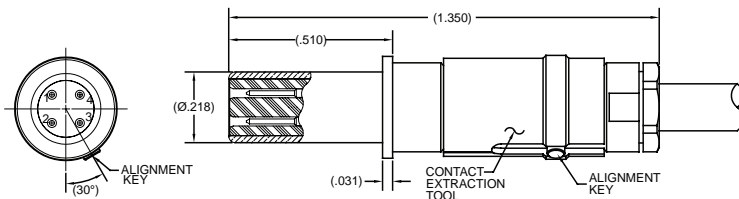
PART NUMBER	OHMS	CABLE TYPE	CABLE
019634-0005	150	Differential Twinax	540-1099-000
019634-0006	150	Differential Twinax	540-1114-000
019634-0007	100	Differential Twinax	540-1086-000
019634-0008	100	Differential Twinax	540-1153-000
019634-0009	100	Flexible Twinax	540-1161-000

SIZE 8 TWINAX SOCKET CONTACT 100 AND 150 OHM



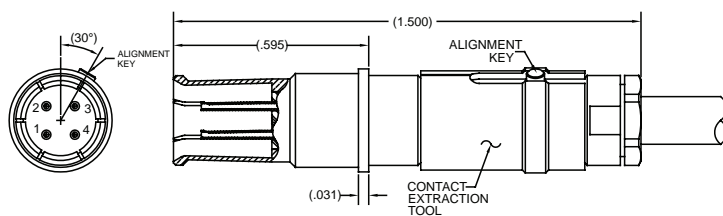
PART NUMBER	OHMS	CABLE TYPE	CABLE
019534-0005	150	Differential Twinax	540-1099-000
019534-0006	150	Differential Twinax	540-1114-000
019534-0007	100	Differential Twinax	540-1086-000
019534-0008	100	Differential Twinax	540-1153-000
019534-0009	100	Flexible Twinax	540-1161-000

SIZE 8 QUADRIX PIN CONTACT 100 OHM



PART NUMBER	CABLE TYPE	CABLE
019635-0000	Differential Quad	540-1183-000

SIZE 8 QUADRIX SOCKET CONTACT 100 OHM



PART NUMBER	CABLE TYPE	CABLE
019535-0000	Differential Quad	540-1183-000

HOW TO ORDER



1 ▶ PREFIX

2 ▶ SHELL STYLE

P PLUG

R RECEPTACLE

3 ▶ SHELL SIZE

2A, 3A, 4A

4 ▶ PLATING

C CADMIUM (YELLOW CHROMATE)

N ELECTROLESS NICKEL

5 ▶ INSERT ARRANGEMENTS

CAVITY **A, B, C, D, E, F**

6 ▶ CONTACT TYPE

P PIN

S SOCKET

7 ▶ CONTACT TERMINATION

S SOLDER CUP

P PC TAIL

C CRIMP

HOW TO ORDER



1 ▶ CONNECTOR #1

2 ▶ CABLE GROUP

Flexible Twinax

1 = M17/176-00002

2 = 540-1086-000

3 = 540-1161-000

Differential Twinax

6 = 540-1099-000

7 = 540-1114-000

8 = 540-1153-000

34 = 540-1167-000

38 = 540-1210-000

39 = 540-1236-000

Differential Quadrax

9 = 540-1138-000

10 = 540-1143-000

36 = 540-1183-000

37 = 540-1235-000

42 = 540-1209-000

41 = 540-1229-000

3 ▶ CONNECTOR #2 OL for Open Lead

4 ▶ CABLE LENGTH IN INCHES (XXX)

FLEXIBLE TWINAX CABLES					
CABLE GROUP	CABLE DESIGNATION	IMPEDANCE (OHMS)		JACKET	CONDUCTOR (DIA)
1	M17/176-00002	77		0.129"	0.024"
2	540-1086-000	98		0.143"	0.019"
3	540-1161-000	100		0.130"	0.024"
DIFFERENTIAL PAIR TWINAX CABLES					
6	540-1099-000	Differential: 150	Sig. to Shield: 75	0.097" x 0.160"	0.014" Stranded
7	540-1114-000	Differential: 150	Sig. to Shield: 75	0.138" x 0.224"	0.020" Solid
8	540-1153-000	Differential: 100	Sig. to Shield: 50	0.085" x 0.130"	0.019" Stranded
34	540-1167-000	Differential: 100	Sig. to Shield: 50	0.117" x 0.160"	0.0233" Stranded
38	540-1210-000	Differential: 100	Sig. to Shield: 50	0.132"	0.019"
39	540-1236-000	Differential: 150	Sig. to Shield: 75	0.191"	0.019"
DIFFERENTIAL QUADRAX CABLES					
9	540-1138-000	Differential: 150	Sig. to Shield: 75	0.290"	0.032"
10	540-1143-000	Differential: 150	Sig. to Shield: 75	0.190"	0.020"
36	540-1183-000	Differential: 100	Sig. to Shield: 50	0.160"	0.024"
37	540-1235-000	Differential: 100	Sig. to Shield: 50	0.108"	0.012"
40	540-1209-000	Differential: 100	Sig. to Shield: 50	0.190"	0.029"
41	540-1229-000	Differential: 100	Sig. to Shield: 50	0.137"	0.019"



SMITHS CONNECTORS

GLOBAL SUPPORT

AMERICAS

info.us@smithsconnectors.com

Costa Mesa, CA

1.714.371.1100

Hudson, MA

1.978.568.0451

Kansas City, KS

1.913.342.5544

EUROPE

France

33.2.32969176

info.fr@smithsconnectors.com

Germany

49.991.250.120

info.de@smithsconnectors.com

Italy

39.010.60361

info.it@smithsconnectors.com

United Kingdom

44.208.236.2400

info.uk@smithsconnectors.com

ASIA

asiainfo@smithsconnectors.com

Shanghai, China

86.21.3318.4650

Suzhou, China

86.512.6273.1188

Singapore

65.6846.1655

visit us at | smithsconnectors.com |     