

**TITLE: SPECIFICATION CONTROL DRAWING
EMC PROPRIETARY**

REVISIONS RECORD			
REV	SHEET	DATE	DESCRIPTION

-	1-2	4/21/09	EN 09-E0377, INITIAL RELEASE
A	1-2	4/18/13	EN 13-1280, UPATE PAGE 2 SHOW CORRECT VIEW

EMC TECHNOLOGY 8851 SW OLD KANSAS AVE STUART, FL 34997	CAGE CODE # 24602	DWG# 1011955000	SHEET	REF
			REV LEVEL	A

TITLE: SPECIFICATION CONTROL DRAWING

PART IDENTIFIER: SMT1206TALNF

DESCRIPTION: SURFACE MOUNT TERMINATION, ALUMINUM NITRIDE ROHS COMPLIANT

ASSEMBLY DWG: 2402754

1.0 SPECIFICATIONS:

- 1.1 ELECTRICAL:
 - 1.1.1 IMPEDANCE: 50Ω NOMINAL.
 - 1.1.2 FREQUENCY: DC - 4 GHZ.
 - 1.1.3 VSWR (MAX): DC-2.5 GHZ 1.30:1
2.5-4.0 GHZ 1.50:1
 - 1.1.4 INPUT POWER:
 - 1.1.4.1 HEAT SINK 100°C: 10 WATTS. (DERATE POWER LINEARLY TO 0 WATTS @ 125°C).
- 1.2 MECHANICAL:
 - 1.2.1 OUTLINE DWG: SEE SHEET 2.
- 1.3 ENVIRONMENTAL:
 - 1.3.1 TEMPERATURE RANGE:
 - 1.3.1.1 NON-OPERATING: -55°C TO +150°C.
 - 1.3.1.2 OPERATING: -55°C TO +125°C.

2.0 UNIT MARKING: NONE.

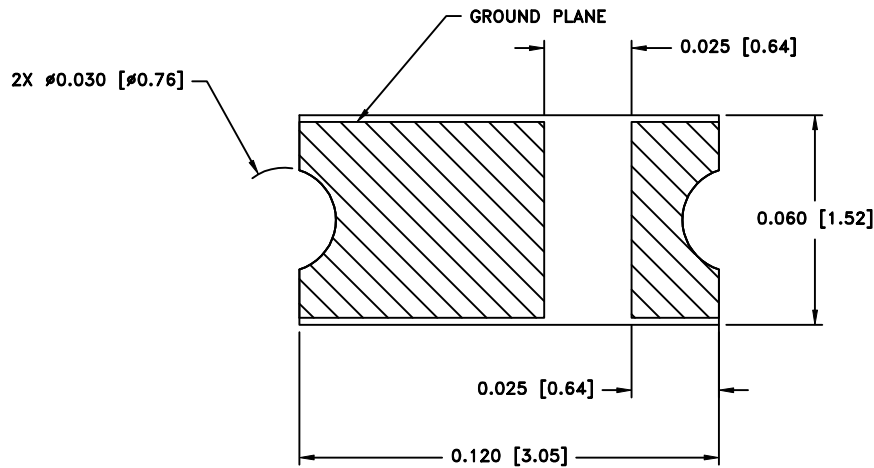
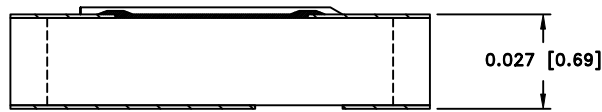
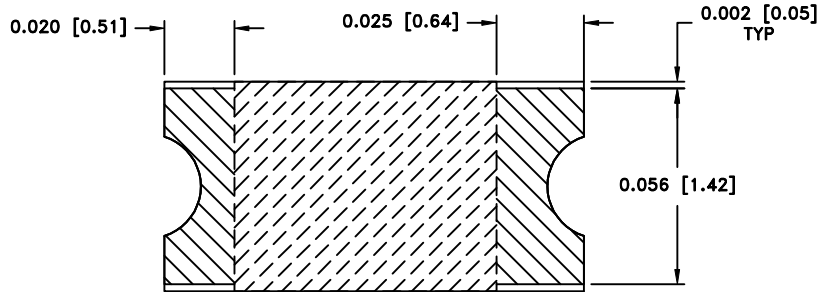
3.0 QUALITY ASSURANCE:

- 3.1 SAMPLE INSPECT PER ANSI/ASQC Z1.4 GENERAL INSPECTION, LEVEL II, AQL = 1.0.
 - 3.1.1 VISUAL AND MECHANICAL PER 824W154.
- 3.2 DC RESISTANCE: 50Ω ± 5%.
- 3.3 DATA REQUIREMENTS:
 - 3.3.1 NO TEST DATA REQUIRED FOR CUSTOMER.
 - 3.3.2 DATA RETENTION - STANDARD.

4.0 PACKAGING: STANDARD BULK PACK PER 755W002.
ROHS COMPLIANT

EMC TECHNOLOGY 8851 SW OLD KANSAS AVE STUART, FL 34997	CAGE CODE # 24602		DWG #	1011955000
	CHANGE NOTICE	EN 13-1280	REV LVL	A
			SHEET	1 <u>OF</u> 2

PART ID REF
SMT1206TALNF



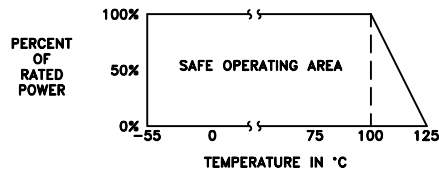
MECHANICAL SPECIFICATIONS:

SUBSTRATE:
 MATERIAL - ALUMINUM NITRIDE, MIL-I-10.
 TERMINALS & GROUND PLANE:
 MATERIAL - THICK FILM, SILVER PLATED.

RESISTIVE ELEMENT:
 MATERIAL - THICK FILM.

METRIC EQUIVALENTS GIVEN IN [mm]
 FOR REFERENCE INFORMATION ONLY

POWER RATING AND DERATING



EMC Technology
 8851 SW OLD KANSAS AVE
 STUART, FL 34997
 PHONE NO. (772)286-9300
 FAX NO. (772)283-5286

UNLESS OTHERWISE SPECIFIED DIMENSIONS ARE IN INCHES	
TOLERANCES	
FRACT	---
ANG	---
XX	---
XXX	±0.005
XXXX	---

THESE DRAWINGS AND SPECIFICATIONS ARE THE PROPERTY OF EMC TECHNOLOGY INC AND SHALL NOT BE DUPLICATED OR USED AS BASIS FOR THE MANUFACTURE OR SALE OF PARTS OR DEVICES WITHOUT PERMISSION.

CAGE CODE	SCALE	DRAWN BY	CHECKED BY	APPROVED BY
24602	N/A	JG 4/21/09		
REV	CHANGE NOTICE	DRAWING NO	SHEET	
A	EN 13-1280	1011955000	2 OF 2	