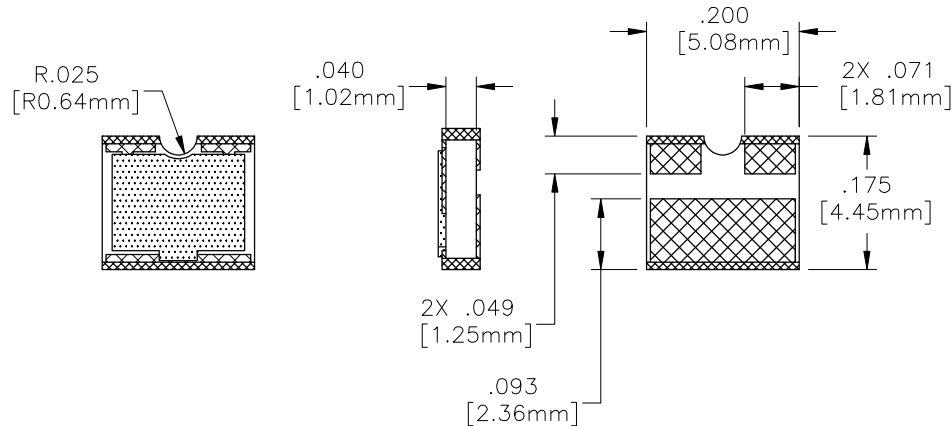


# EDD

NOTES:  
 UNLESS OTHERWISE SPECIFIED, TOLERANCES ARE  $\pm .010"$  [.254mm].  
 \* = AVAILABLE ATTENUATION VALUES IN 1dB INCREMENTS.


|                  |          |
|------------------|----------|
| DRAWING NO.:     | REV.     |
| <b>83A3995*F</b> | <b>A</b> |



**MATERIALS:**  
 SUBSTRATE: BERYLLIUM OXIDE  
 RESISTIVE FILM: THIN FILM  
 PROTECTIVE COATING: POLYMER

**FINISH:**  
 RoHS COMPLIANT  
 TERMINALS: PLATED SILVER

**TECHNICAL:**  
 NOMINAL IMPEDANCE: 50 OHMS  
 FREQUENCY RANGE: DC-3.0 GHz  
 VSWR (MAX): 1.5:1 GHz  
 INPUT POWER: 5 WATTS  
 ATTENUATION STABILITY: .0001 dB/dB/°C  
 \*ATTENUATION ACCURACY: 1-10dB  $\pm 0.5$ dB  
 11-20dB  $\pm 1.0$ dB  
 OPERATING TEMP: -55°C TO +150°C

|  |             |       |              |      |      |           |   |            |              |          |
|--|-------------|-------|--------------|------|------|-----------|---|------------|--------------|----------|
|  |             |       | EN# 07-F0141 | APVD | DATE | REFERENCE |  8851 OLD KANSAS AVE.<br>STUART, FL. 34997<br>772-286-9300 |            |              |          |
| UNLESS OTHERWISE SPECIFIED<br>1. DO NOT SCALE DRAWING<br>2. DIMENSIONS ARE IN INCHES<br>3. DIMENSIONS ARE AFTER PLATING<br>4. CORNERS, EDGES AND FILLETS: R MAX<br>5. SURFACE ROUGHNESS:<br>6. REMOVE ALL BURRS  |             |       |              |      |      | MATERIAL  | TITLE   |            |              |          |
| TOLERANCES<br>.X $\pm$<br>.XX $\pm$<br>.XXX $\pm$<br>ANGLES X° $\pm$   |             |       |              |      |      | FINISH    | <b>CHIP,<br/>         ATTENUATOR<br/>         5 WATT</b>  |            |              |          |
| THE INFORMATION CONTAINED HEREIN IS: (A) CONSIDERED PROPRIETARY TO FLORIDA RF LABS INC.; (B) PROTECTED BY COPYRIGHT OWNED BY FLORIDA RF LABS INC.; (C) CONSIDERED A "WORK FOR HIRE" UNDER COPYRIGHT LAW; (D) PROTECTED BY TRADE SECRET LAWS WHICH MAKE ILLEGAL THE MISAPPROPRIATION OF THIS INFORMATION; AND (E) IS TO BE USED SOLELY FOR THE PURPOSE WHICH IT IS SUPPLIED. THIS INFORMATION SHALL NOT BE DISCLOSED IN WHOLE OR IN PART, TO ANY PARTY, FOR ANY REASON WITHOUT THE EXPRESS WRITTEN CONSENT OF A QUALIFIED EXECUTIVE OF FLORIDA RF LABS INC. |             |       |              |      |      | SCALE     | CAGE CODE ID NO.  | SIZE       | DRAWING NO.: | REV.     |
| A  | EN#08-F0006 | CRH   | 01/03/08     |      |      | 5/1       | 2Y194   | A          | 83A3995*F    | A        |
| REV.   | DESCRIPTION | DRAWN | APVD.        |      |      | MFG:      | CHKD.:  | DRAWN: CRH | 02/13/07     | SHEET OF |