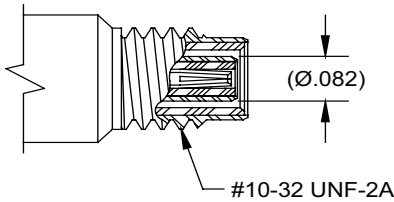
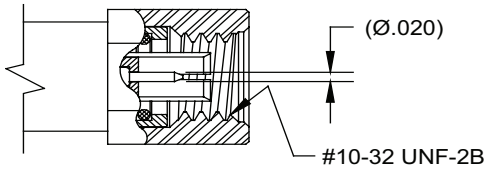
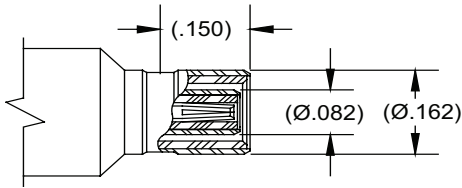
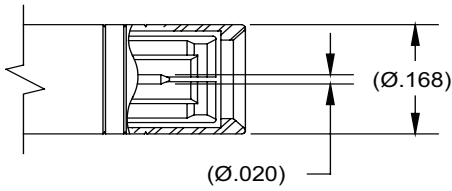


smiths connectors

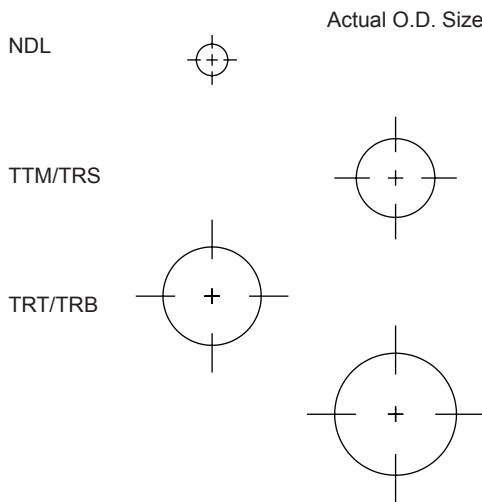
NDL-Q & NDL-T SERIES CONNECTORS



Interface Dimensions



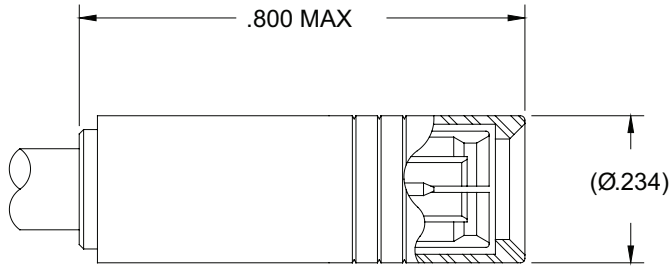
Connector Types



MECHANICAL & ENVIRONMENTAL SPECIFICATIONS	
Temperature Rating	-65°C to + 165°C
Corrosion	MIL-STD-202 Method 101, Test Condition B
Shock	MIL-STD-202 Method 213, Test Condition B
Vibration	MIL-STD-202 Method 204, Test Condition B
Thermal Shock	MIL-STD-202 Method 107, Test Condition B
Durability	1000 Mate/Unmate cycles min.
Coupling Nut Torque (NDL-T) Recommended Proof Torque	2.3 in-lbs min 7.0 in-lbs
Jam Nut Recommended Torque	4-5 in-lbs
Mating Torque (NDL-T)	2.5 in-lbs
Engagement Disengagement Force (NDL-Q)	3.0 lbs min
ELECTRICAL SPECIFICATIONS	
Dielectric Withstanding Voltage	Center contact to intermediate contact: 1000 Vrms min. Intermediate contact to outer contact: 400 Vrms min.
Insulation Resistance	5,000 Mega-Ohms min. Center contact to intermediate contact: 250 VDC Intermediate contact to outer contact: 125 VDC
Contact Current Rating	2.0 Amps max.
RF Hi Potential Withstanding Voltage	Center contact to intermediate contact: 500 vrms @ 5MHz Intermediate contact to outer contact: 125 vrms @ 5 MHz
Corona Level @ 70,000 ft	Center contact to intermediate contact: 125 VAC
Permeability	2.0 max.
Risetime Degradation (Mated Pair)	800 ps @ 1MHz
MATERIAL & FINISHES	
Shell & Center/Intermediate Contacts	Brass per ASTM-B16, Alloy UNS C36000 or BeCu per ASTM-B196, Alloy UNS C17200, C17300 Gold plate per MIL-DTL-45204, Type II, Class 1
Insulators	PTFE per ASTM-D 1710
O-Ring (NDL-T)	Silicone rubber per A-A-59588

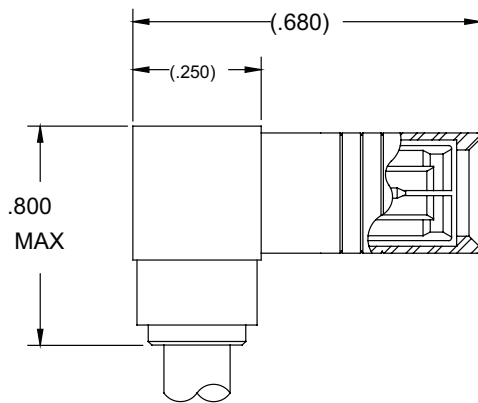
All specifications subject to change without notice.

▶ NDL-Q CABLE PLUG



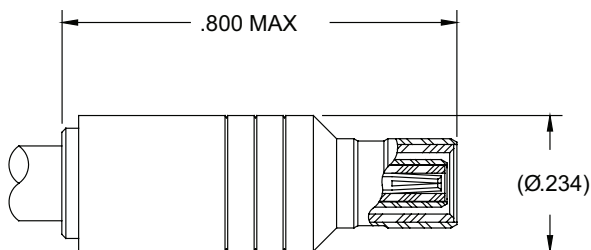
PART NUMBER	CABLE TYPE	CABLE
016028-2001	Flexible Twinax	M17/176-00002
016028-2012	Flexible Twinax	540-1086-000
016028-2013	Flexible Triax	RG-403
016028-2014	Flexible Triax	540-1050-000
016028-2031	Flexible Triax	540-1081-000

▶ NDL-Q RIGHT ANGLE CABLE PLUG



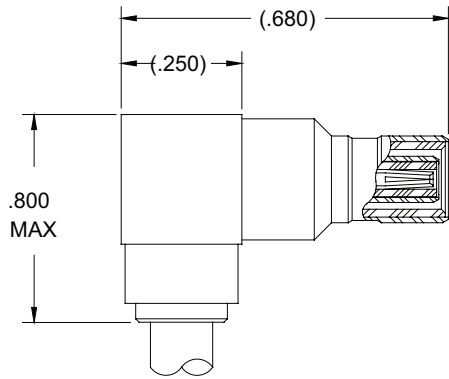
PART NUMBER	CABLE TYPE	CABLE
016028-1001	Flexible Twinax	M17/176-00002
016028-1012	Flexible Twinax	540-1086-000
016028-1013	Flexible Triax	RG-403
016028-1014	Flexible Triax	540-1050-000
016028-1031	Flexible Triax	540-1081-000

▶ NDL-Q CABLE JACK



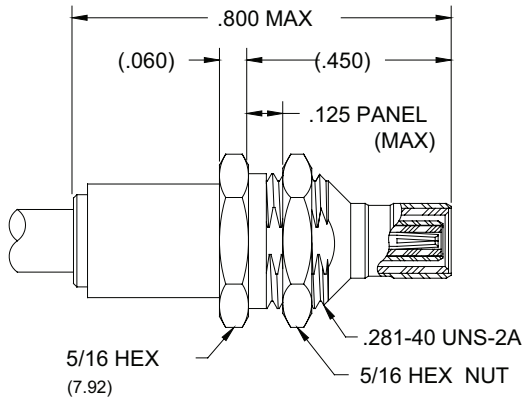
PART NUMBER	CABLE TYPE	CABLE
016128-2001	Flexible Twinax	M17/176-00002
016128-2012	Flexible Twinax	540-1086-000
016128-2013	Flexible Triax	RG-403
016128-2014	Flexible Triax	540-1050-000
016128-2031	Flexible Triax	540-1081-000

▶ **NDL-Q RIGHT ANGLE CABLE JACK**



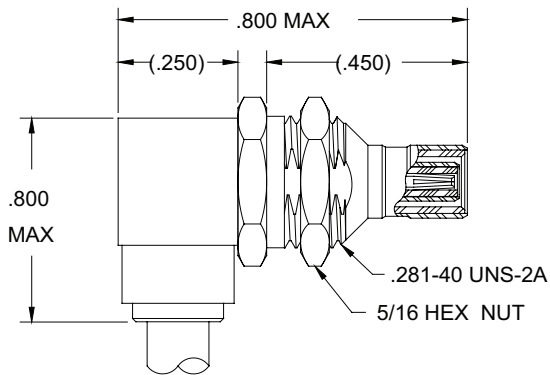
PART NUMBER	CABLE TYPE	CABLE
016128-1001	Flexible Twinax	M17/176-00002
016128-1002	Flexible Twinax	540-1086-000
016128-1003	Flexible Triax	RG-403
016128-1004	Flexible Triax	540-1050-000
016128-1031	Flexible Triax	540-1081-000

▶ **NDL-Q BULKHEAD CABLE JACK**



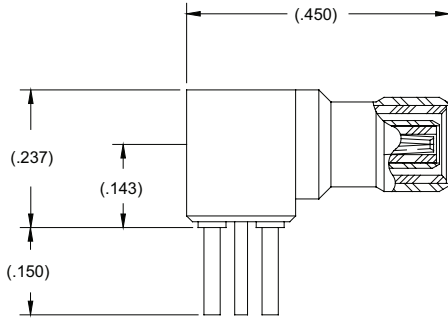
PART NUMBER	CABLE TYPE	CABLE
016128-5000	Flexible Twinax	M17/176-00002
016128-5012	Flexible Twinax	540-1086-000
016128-5013	Flexible Triax	RG-403
016128-5014	Flexible Triax	540-1050-000
016128-5031	Flexible Triax	540-1081-000

▶ **NDL-Q RIGHT ANGLE BULKHEAD CABLE JACK**



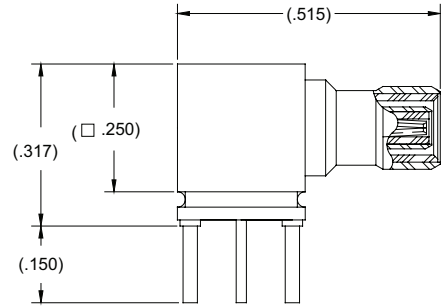
PART NUMBER	CABLE TYPE	CABLE
016128-1101	Flexible Twinax	M17/176-00002
016128-1102	Flexible Twinax	540-1086-000
016128-1103	Flexible Triax	RG-403
016128-1104	Flexible Triax	540-1050-000
016128-1131	Flexible Triax	540-1081-000

▶ **NDL-Q RIGHT ANGLE PCB JACK**



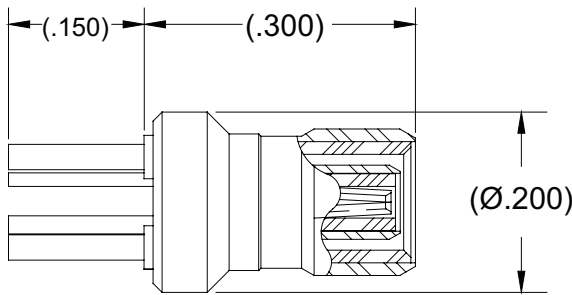
P/N 016100-1001
Mounting for .100 Centers

▶ **NDL-Q RIGHT ANGLE PCB JACK**



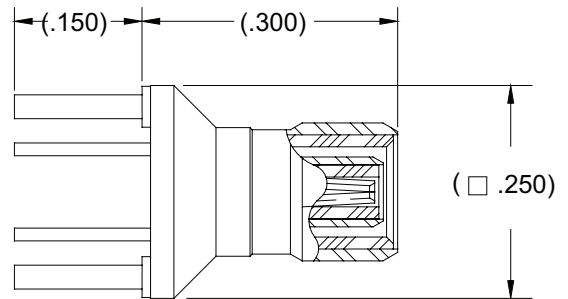
P/N 016100-1002
Mounting for .200 Centers

▶ **NDL-Q STRAIGHT PCB JACK**



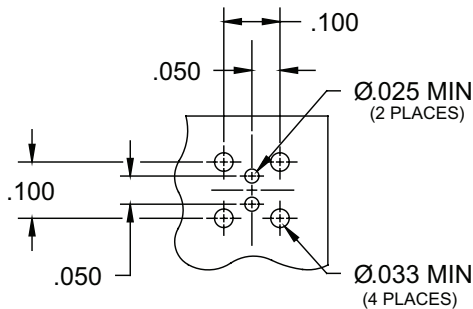
P/N 016100-3000
Mounting for .100 Centers

▶ **NDL-Q STRAIGHT PCB JACK**



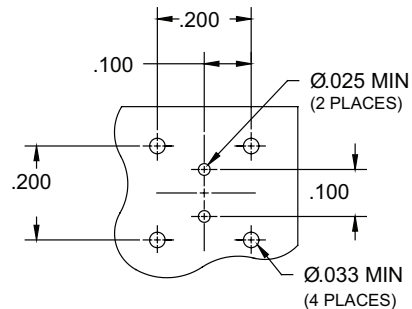
P/N 016100-3002
Mounting for .200 Centers

▶ **MOUNTING FOR PCB CONNECTORS**



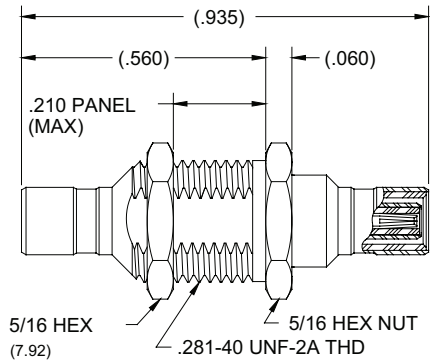
PCB Pattern for .100 Centers

▶ **MOUNTING FOR PCB CONNECTORS**



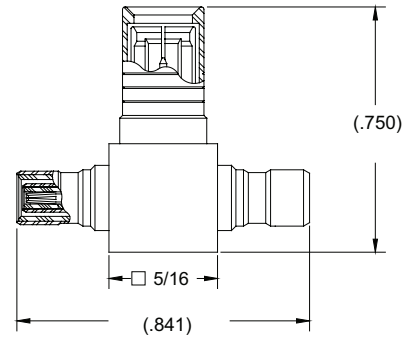
PCB Pattern for .200 Centers

▶ **NDL-Q FEED-THRU JACK ADAPTER**



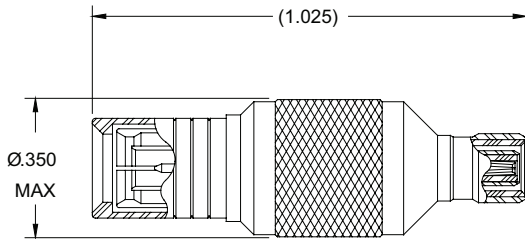
P/N 016100-5004

▶ **NDL-Q "TEE" ADAPTER**



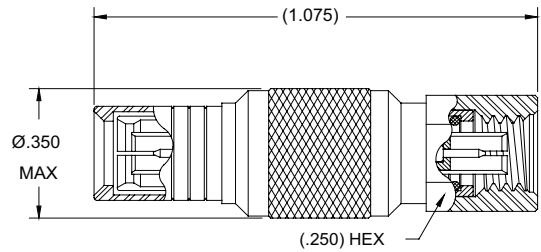
P/N 016000-4000

▶ **NDL-Q PLUG TO NDL-Q JACK**



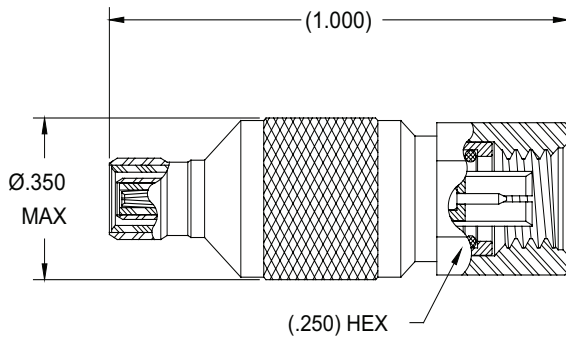
P/N 016000-4001

▶ **NDL-Q PLUG TO NDL-T PLUG**



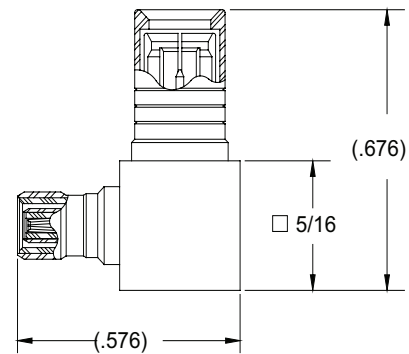
P/N 016000-4007

▶ **NDL-Q JACK TO NDL-T PLUG**



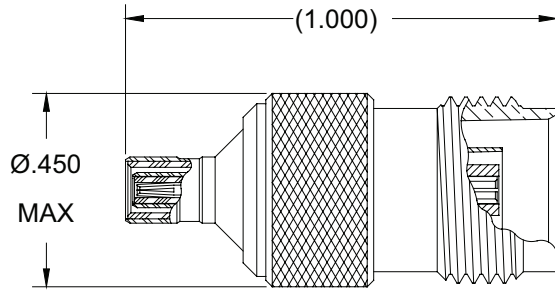
P/N 016100-4001

▶ **NDL-Q RIGHT ANGLE PLUG TO NDL-Q JACK**



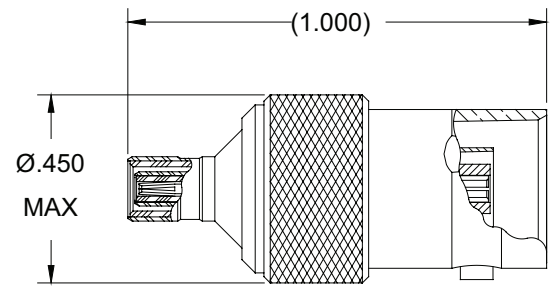
P/N 016000-1000

▶ **NDL-Q JACK TO TRT JACK**



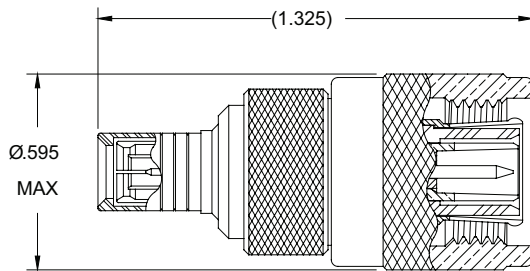
P/N 016100-4002

▶ **NDL-Q JACK TO TRB JACK**



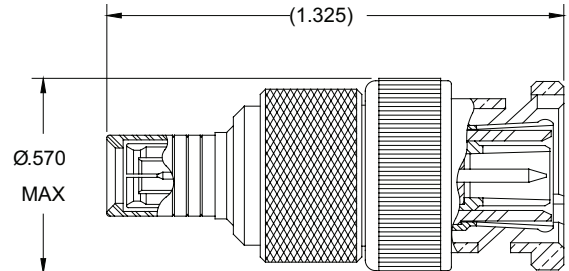
P/N 016100-4003

▶ **NDL-Q PLUG TO TRT PLUG**



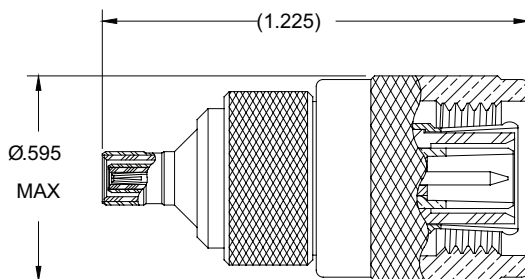
P/N 016000-4003

▶ **NDL-Q PLUG TO TRB PLUG**



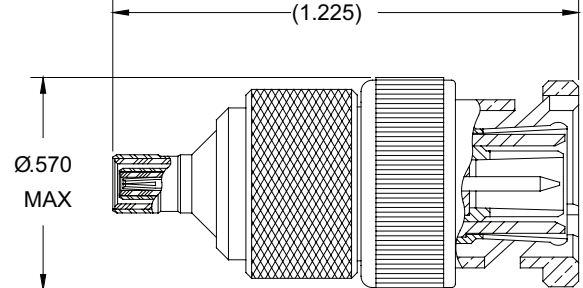
P/N 016000-4004

▶ **NDL-Q JACK TO TRT PLUG**



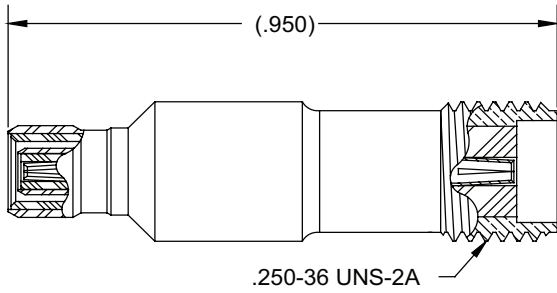
P/N 016100-4004

▶ **NDL-Q JACK TO TRB PLUG**



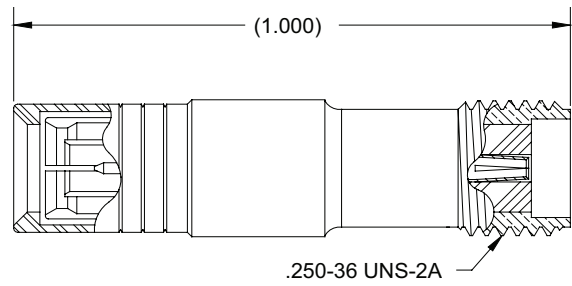
P/N 016100-4005

▶ NDL-Q JACK TO SMA JACK



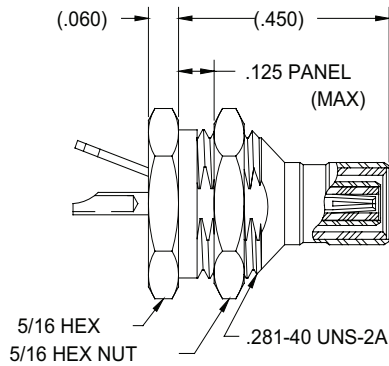
P/N 016100-4010

▶ NDL-Q PLUG TO SMA JACK



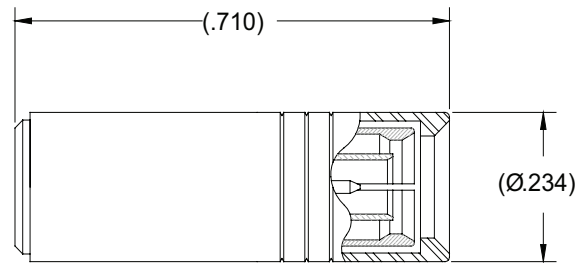
P/N 016000-4010

▶ NDL-Q BULKHEAD JACK



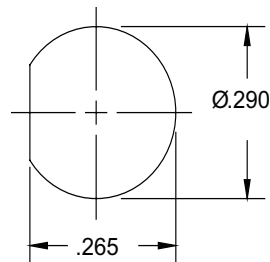
P/N 016100-5001

▶ NDL-Q 75 OHM TERMINATOR

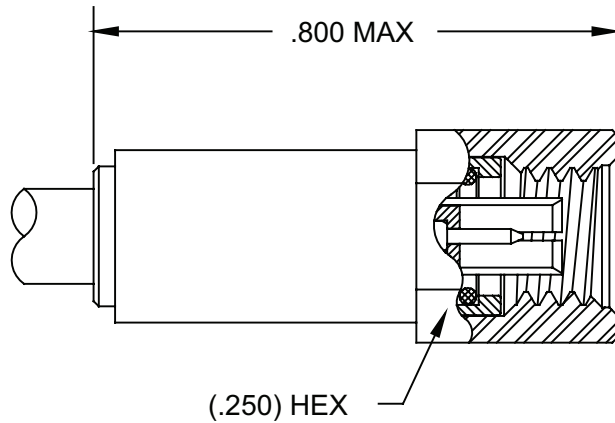


P/N 016000-0000

▶ MOUNTING D-HOLE CONFIGURATION

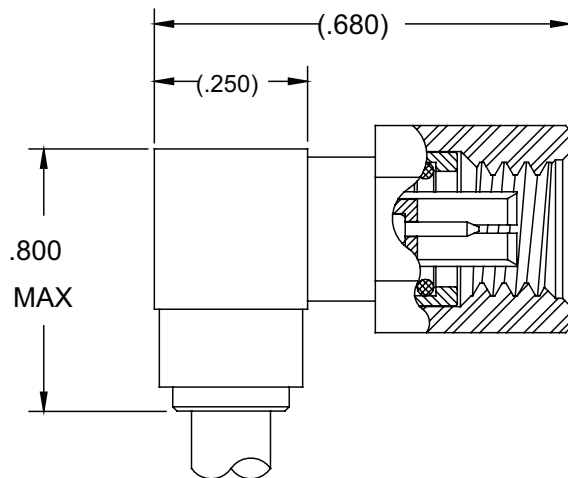


▶ NDL-T CABLE PLUG



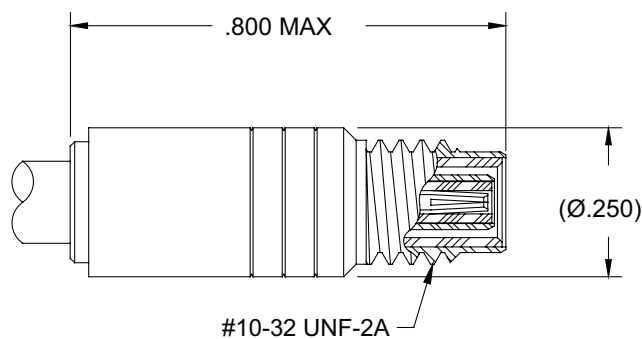
PART NUMBER	CABLE TYPE	CABLE
015028-2000	Flexible Twinax	M17/176-00002
015028-2012	Flexible Twinax	540-1086-000
015028-2013	Flexible Triax	RG-403
015028-2014	Flexible Triax	540-1050-000
015028-2031	Flexible Triax	540-1081-000

▶ NDL-T RIGHT ANGLE CABLE PLUG



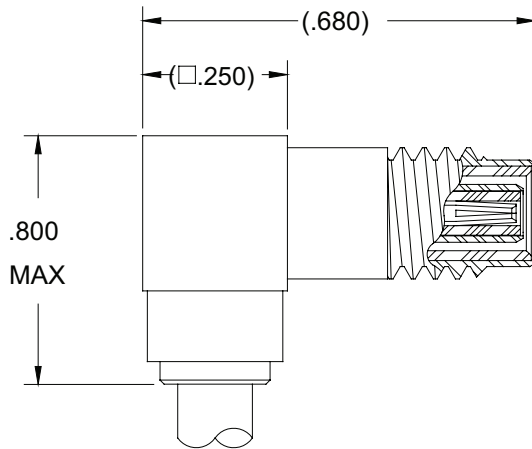
PART NUMBER	CABLE TYPE	CABLE
015028-1001	Flexible Twinax	M17/176-00002
015028-1012	Flexible Twinax	540-1086-000
015028-1013	Flexible Triax	RG-403
015028-1014	Flexible Triax	540-1050-000
015028-1031	Flexible Triax	540-1081-000

▶ NDL-T CABLE JACK



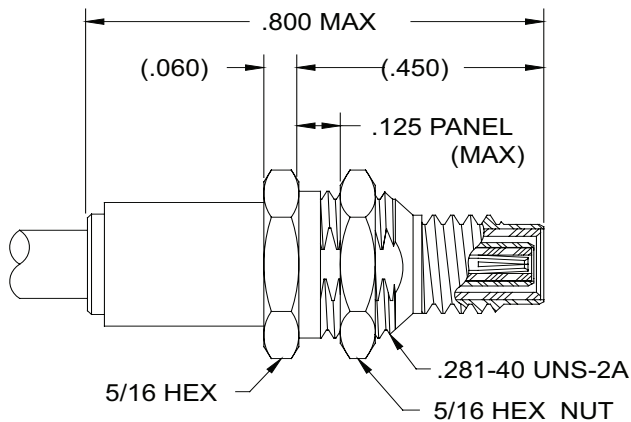
PART NUMBER	CABLE TYPE	CABLE
015112-2001	Flexible Twinax	M17/176-00002
015112-2012	Flexible Twinax	540-1086-000
015112-2013	Flexible Triax	RG-403
015112-2014	Flexible Triax	540-1050-000
015112-2031	Flexible Triax	540-1081-000

▶ **NDL-T RIGHT ANGLE CABLE JACK**



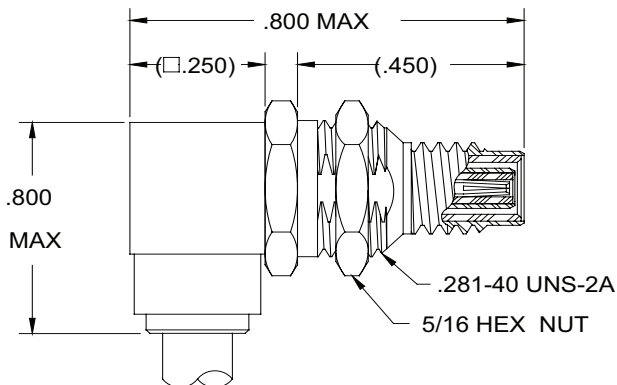
PART NUMBER	CABLE TYPE	CABLE
015112-1001	Flexible Twinax	M17/176-00002
015112-1012	Flexible Twinax	540-1086-000
015112-1013	Flexible Triax	RG-403
015112-1014	Flexible Triax	540-1050-000
015112-1031	Flexible Triax	540-1081-000

▶ **NDL-T BULKHEAD CABLE JACK**



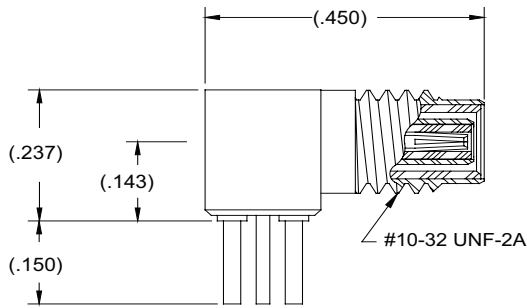
PART NUMBER	CABLE TYPE	CABLE
015112-5000	Flexible Twinax	M17/176-00002
015112-5012	Flexible Twinax	540-1086-000
015112-5013	Flexible Triax	RG-403
015112-5014	Flexible Triax	540-1050-000
015112-5031	Flexible Triax	540-1081-000

▶ **NDL-T RIGHT ANGLE BULKHEAD CABLE JACK**



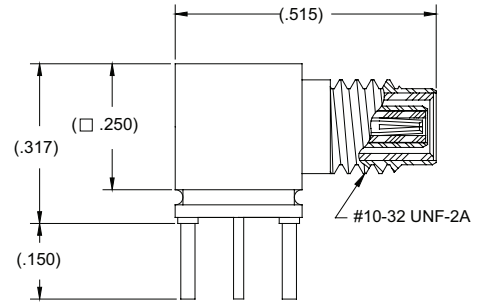
PART NUMBER	CABLE TYPE	CABLE
015112-1101	Flexible Twinax	M17/176-00002
015112-1102	Flexible Twinax	540-1086-000
015112-1103	Flexible Triax	RG-403
015112-1104	Flexible Triax	540-1050-000
015112-1131	Flexible Triax	540-1081-000

▶ **NDL-T RIGHT ANGLE PCB JACK**



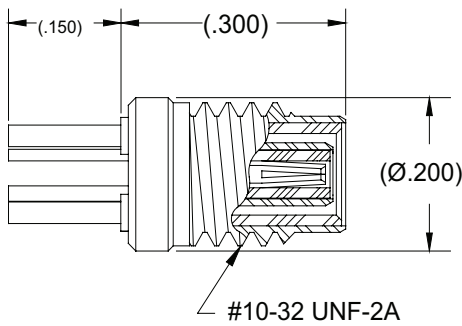
P/N 015100-1011
Mounting for .100 Centers

▶ **NDL-T RIGHT ANGLE PCB JACK**



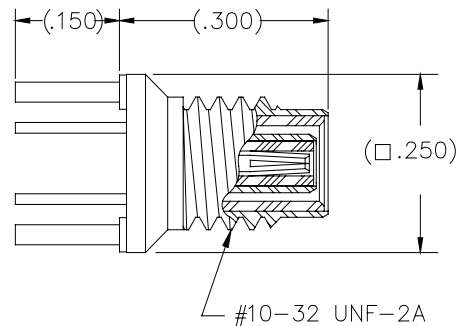
P/N 015100-1012
Mounting for .200 Centers

▶ **NDL-T STRAIGHT PCB JACK**



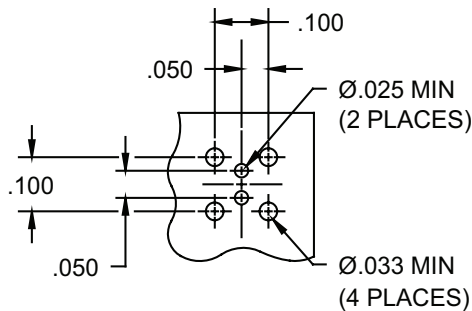
P/N 015100-3010
Mounting for .100 Centers

▶ **NDL-T STRAIGHT PCB JACK**



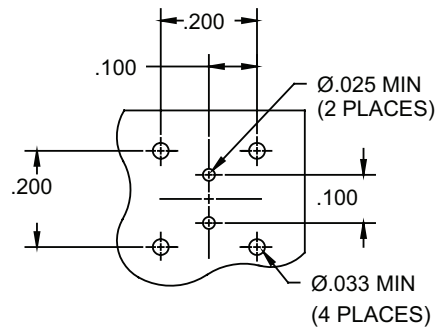
P/N 015100-3012
Mounting for .200 Centers

▶ **MOUNTING FOR PCB CONNECTORS**



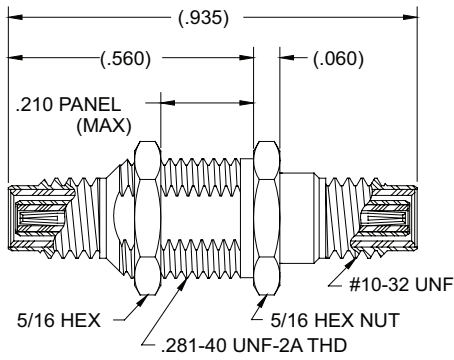
PCB Pattern for .100 Centers

▶ **MOUNTING FOR PCB CONNECTORS**



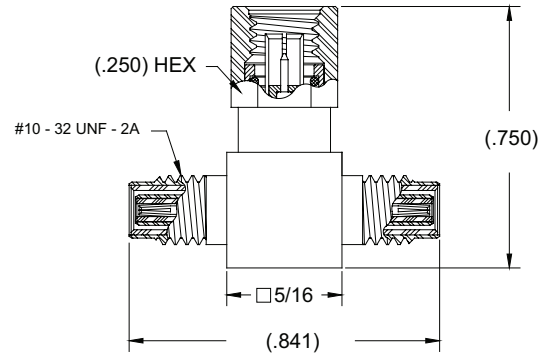
PCB Pattern for .200 Centers

▶ **NDL-T FEED-THRU JACK ADAPTER**



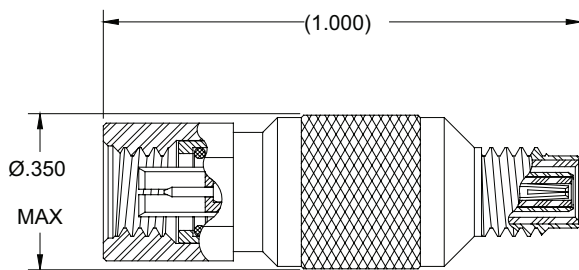
P/N 015100-5024

▶ **NDL-T "TEE" ADAPTER**



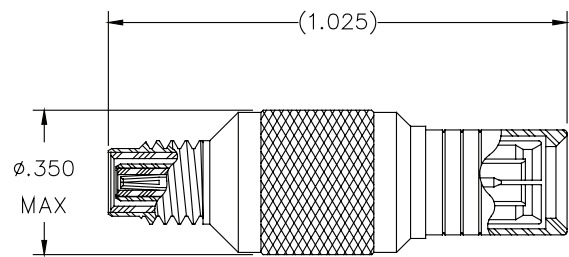
P/N 015000-4020

▶ **NDL-T PLUG TO NDL-T JACK**



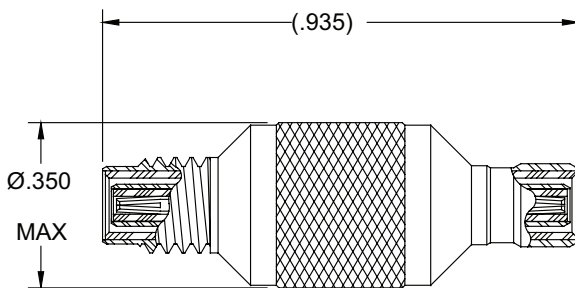
P/N 015000-4023

▶ **NDL-T JACK TO NDL-Q PLUG**



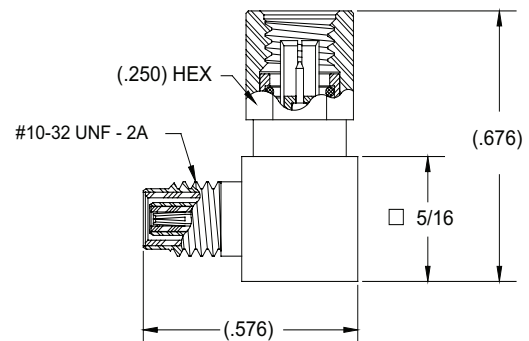
P/N 015100-4015

▶ **NDL-T JACK TO NDL-Q JACK**



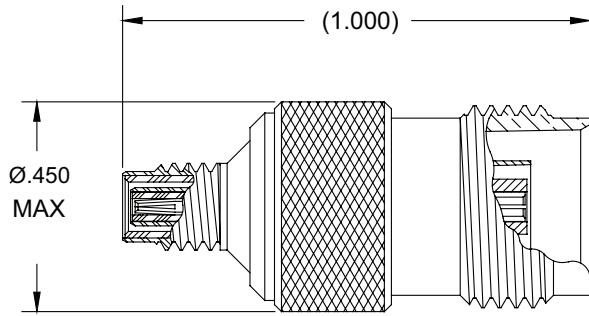
P/N 015100-4016

▶ **NDL-T RIGHT ANGLE PLUG TO NDL-T JACK**



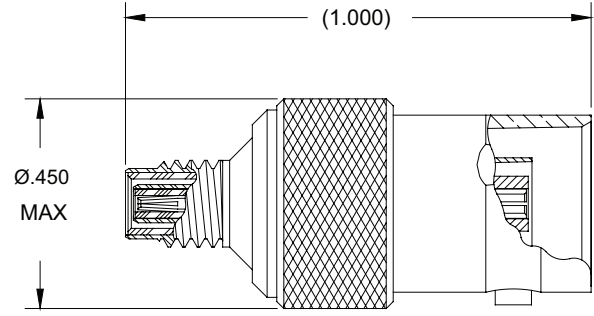
P/N 015000-1001

▶ **NDL-T JACK TO TRT JACK**



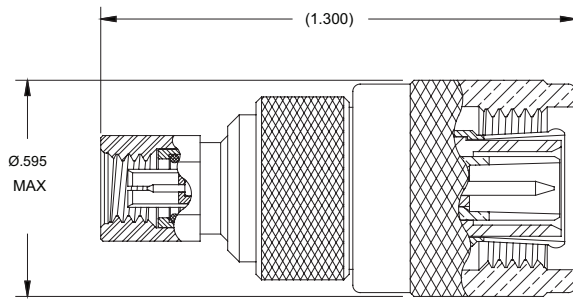
P/N 015100-4011

▶ **NDL-T JACK TO TRB JACK**



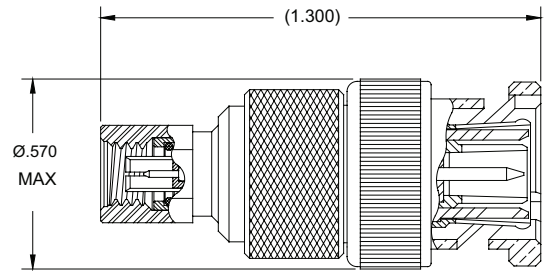
P/N 015100-4012

▶ **NDL-T PLUG TO TRT PLUG**



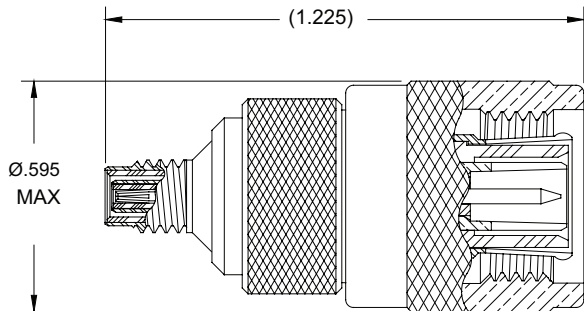
P/N 015000-4004

▶ **NDL-T PLUG TO TRB PLUG**



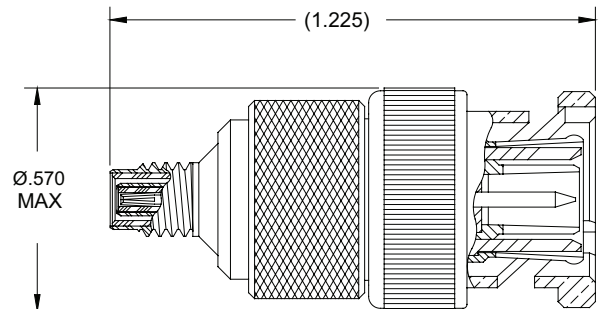
P/N 015000-4005

▶ **NDL-T JACK TO TRT PLUG**



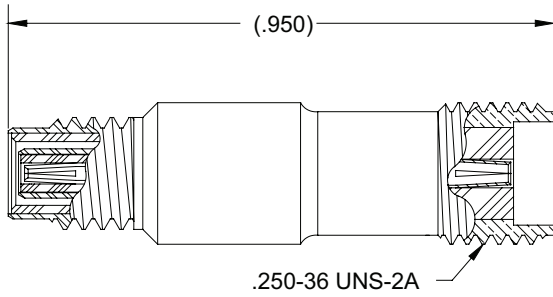
P/N 015100-4013

▶ **NDL-T JACK TO TRB PLUG**



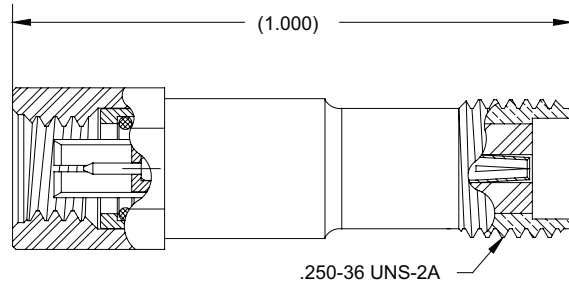
P/N 015100-4014

▶ **NDL-T JACK TO SMA JACK**



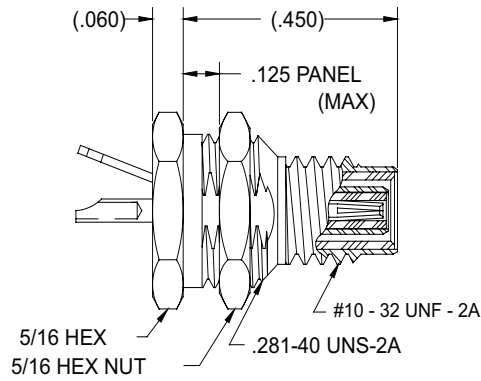
P/N 015100-4017

▶ **NDL-T PLUG TO SMA JACK**



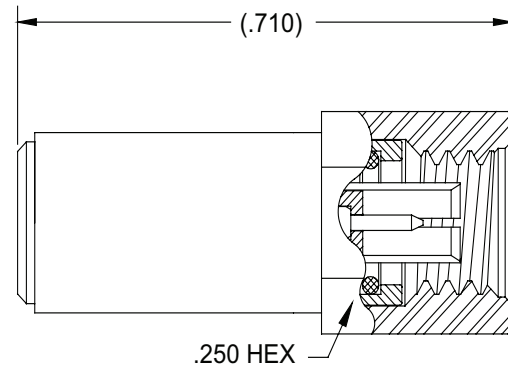
P/N 015000-4010

▶ **NDL-T BULKHEAD JACK**



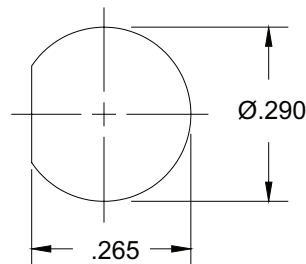
P/N 015100-5025

▶ **NDL-T 75 OHM TERMINATOR**



P/N 015000-0000

▶ **MOUNTING D-HOLE CONFIGURATION**



HOW TO ORDER



1 ▶ CONNECTOR #1

2 ▶ CABLE GROUP

Flexible Twinax

1 = M17/176-00002

2 = 540-1086-000

3 = 540-1161-000

Flexible Triax

21 = RG-403

22 = 540-1050-000

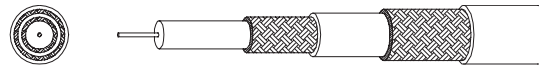
23 = 540-1081-000

3 ▶ CONNECTOR #2 OL for Open Lead

4 ▶ CABLE LENGTH IN INCHES (XXX)



FLEXIBLE TWINAX CABLES					
CABLE GROUP	CABLE DESIGNATION	MANUFACTURER	IMPEDANCE (OHMS)	JACKET	CONDUCTOR (DIA)
1	M17/176-00002	Mil-Spec	77	0.129"	0.024"
2	540-1086-000	Smiths Connectors	98	0.143"	0.019"
3	540-1161-000	Smiths Connectors	100	0.130"	0.024"



FLEXIBLE TRIAX CABLES					
CABLE GROUP	CABLE DESIGNATION	MANUFACTURER	IMPEDANCE (OHMS)	JACKET	CONDUCTOR (DIA)
21	RG-403	Mil-Spec	50	0.116"	0.012"
22	540-1050-000	Smiths Connectors	75	0.125"	0.012"
23	540-1081-000	Smiths Connectors	95	0.125"	0.008"



SMITHS CONNECTORS GLOBAL SUPPORT

AMERICAS

info.us@smithsconnectors.com

Costa Mesa, CA

1.714.371.1100

Hudson, MA

1.978.568.0451

Kansas City, KS

1.913.342.5544

EUROPE

France

33.2.3296.9176

info.fr@smithsconnectors.com

Germany

49.991.250.120

info.de@smithsconnectors.com

Italy

39.10.60361

info.it@smithsconnectors.com

United Kingdom

44.208.236.2400

info.uk@smithsconnectors.com

ASIA

asiainfo@smithsconnectors.com

Shanghai, China

86.21.3318.4650

Suzhou, China

86.512.6273.1188

Singapore

65.6846.1655

visit us at | smithsconnectors.com |     